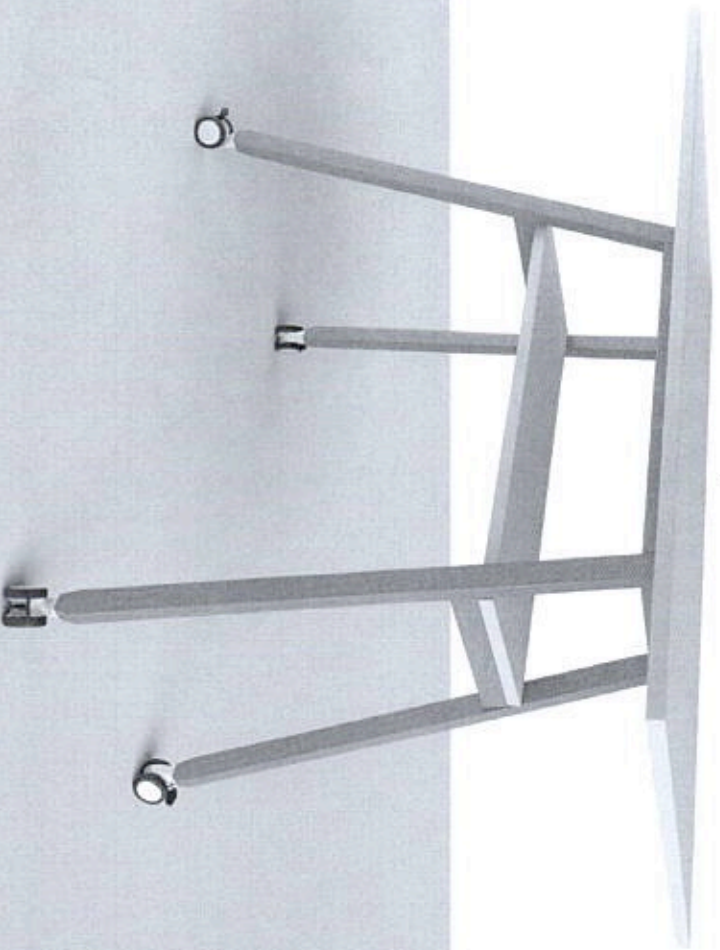


Standing Table on Wheels

Assembly instructions



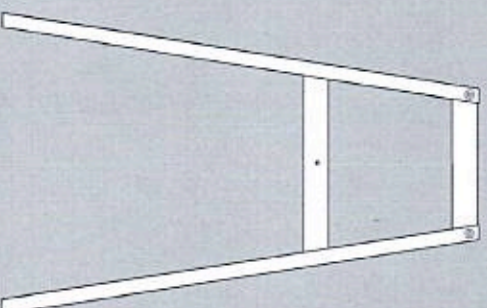
Scope of delivery



B Top cross struts (2x)



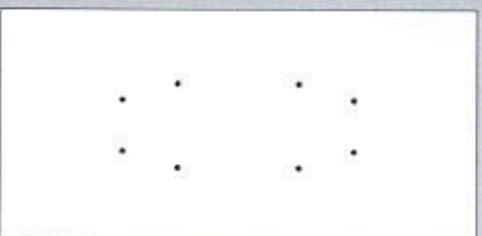
C Middle cross strut (1x)



A Base frame (2x)



D Castors with brakes (4x)



E Tabletop large (1x)



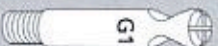
F Tabletop small (1x)



H1 Countersunk screws short (2x)



H2 Countersunk screws long (14x)



G1, G2 & G3 Quick Connectors (4x)



studio
tools

In case of any uncertainties or difficulty in understanding, please contact us before you start the assembly.
Diese Montageanleitung ist in Englisch verfasst. Falls Sie etwas nicht verstehen oder Unklarheiten bestehen,
kontaktieren Sie uns bitte bevor Sie mit der Montage beginnen.

I Assembly of table base

2x A Base frame

4x G1



A + B + C

2x H1



*

See Quick Connector tips

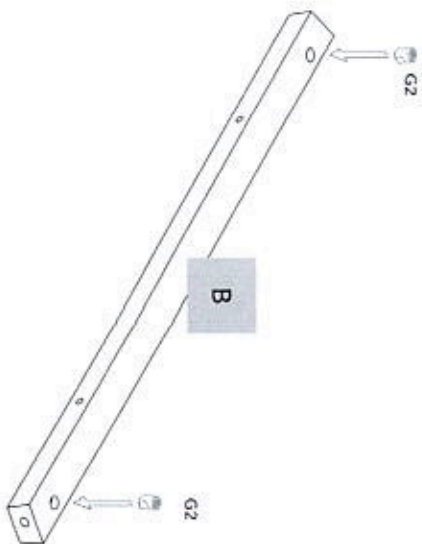
*

Quick Connector tips

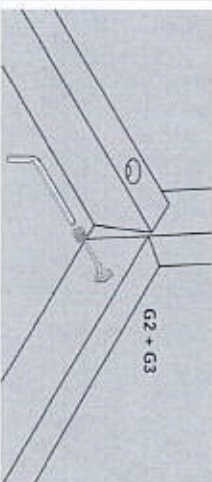


2x B Top cross struts

4x G2

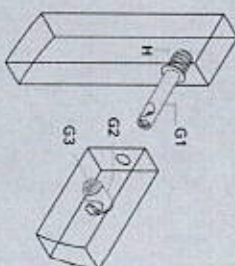


4x G3



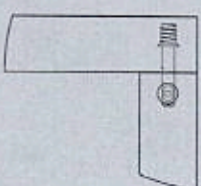
i

To prevent damage, assemble the object on a soft surface.

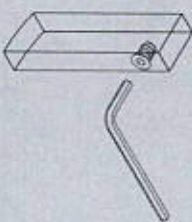


Screw the steel dowel (G1) into the preassembled steel socket (H) as far as it will go. Push the housing (G2) into the hole in the wood. Make sure that the housing (G2) is positioned in such a way that the hole in the housing (G2) is correctly aligned and the two workpieces (G1 + G2) can be plugged together.

Screw the grub screw (G3) into the housing (G2).

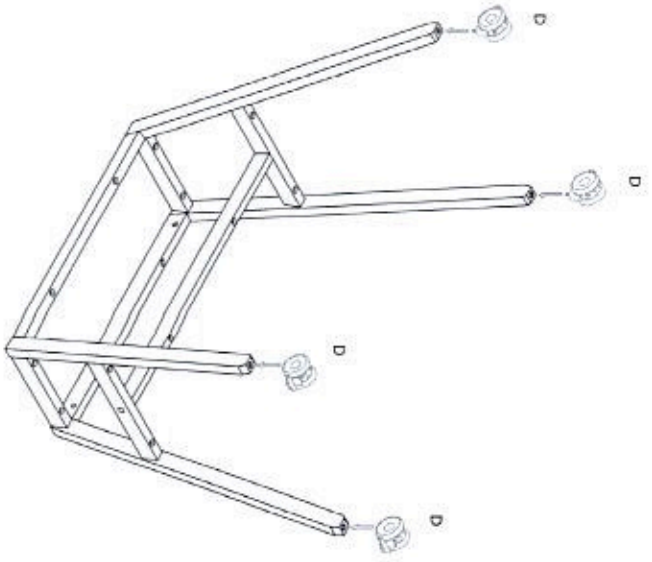


- ⊖ Optimum positioning of the steel dowel (G1).
- ⊖ Incorrect positioning. Loosen steel dowel (G1) until the holes are aligned.
- ⊖ The steel dowel (G1) does not have to be tightly screwed into the pre-assembled steel socket (H), it can be loosened by up to a half rotation.

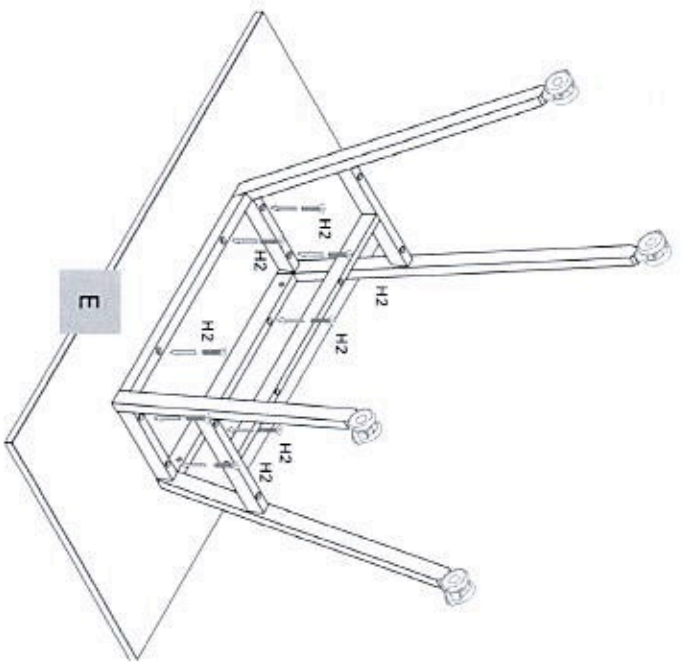
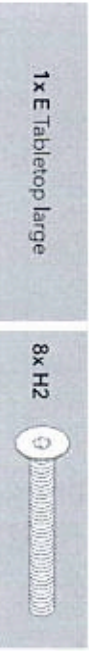


If for any reason the positioning of the steel dowel (G1) is still incorrect or too loose, the preassembled steel socket (H) can be loosened or tightened accordingly.

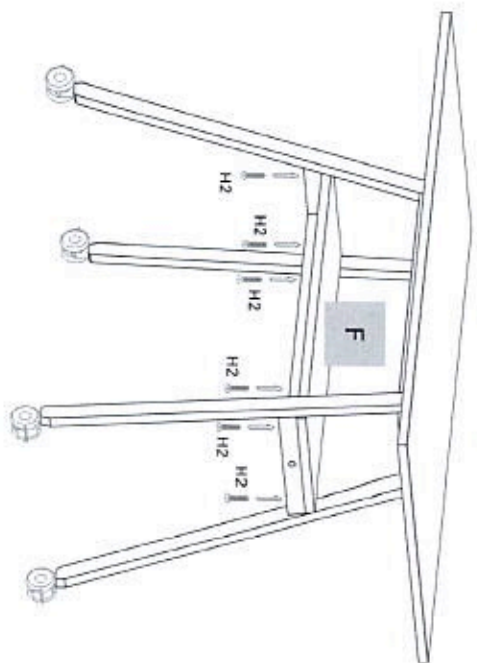
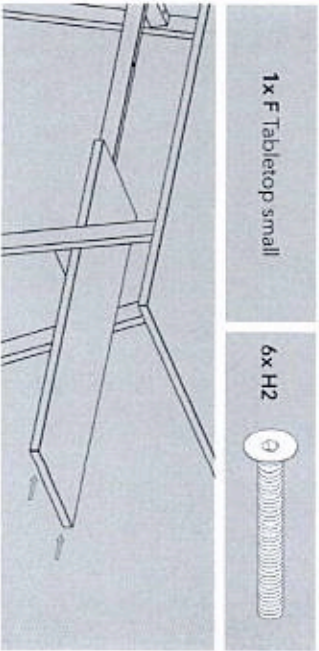
II Screw castors to table base



III Attach tabletop large to table base



IV Attach tabletop small to table base



i

To prevent damage, assemble the object on a soft surface.